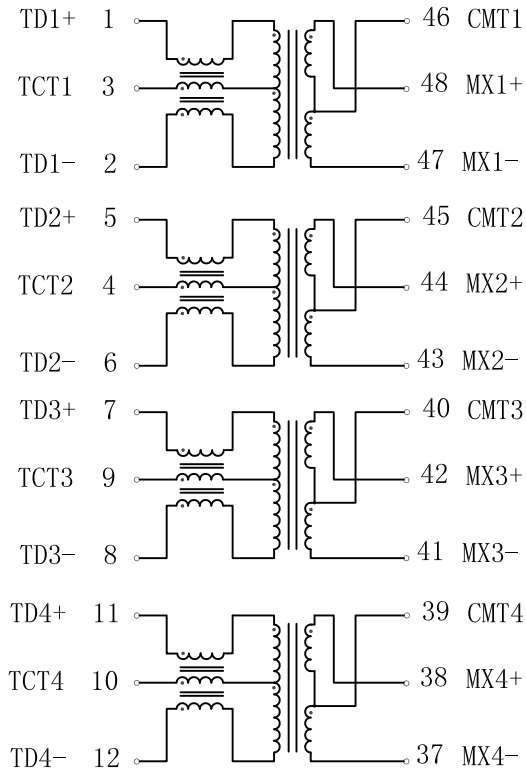


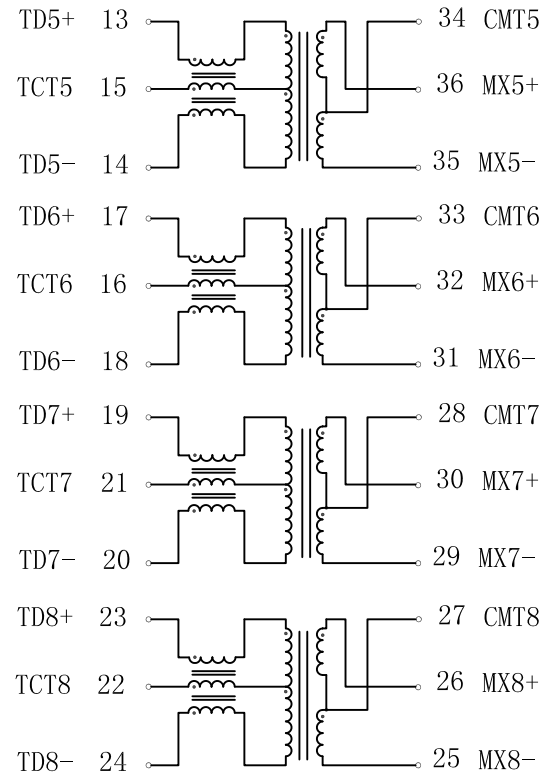
# Schematic:

REV.	ECN NO.	DESCRIPTION	DATE	APPD
A	REL		2016/01/25	

## Port 1



## Port 2



## Electrical Specifications @25°C

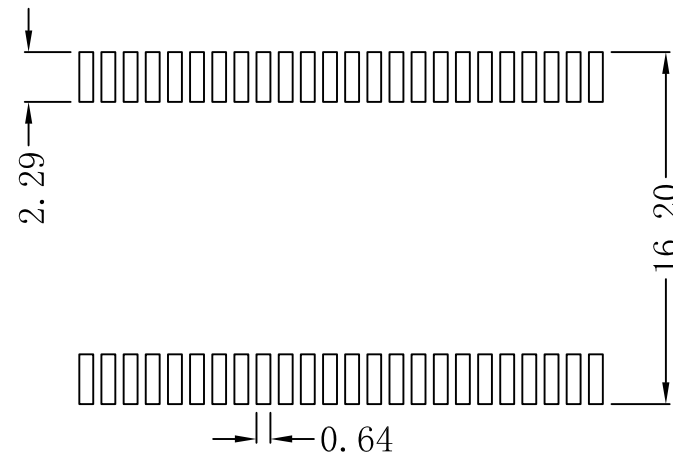
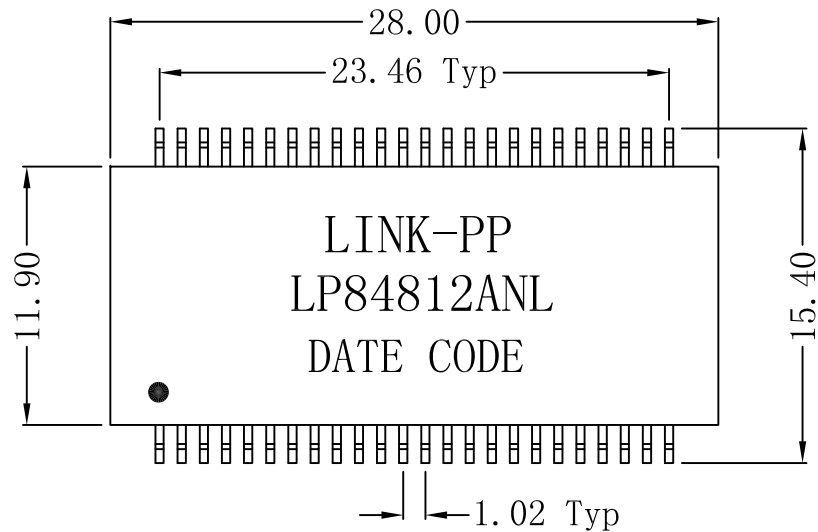
- Turns Ratio:  
1CT:1CT
- OCL:  
350uH MIN @100KHz, 100mV, 8mADC Bias  
300uH MIN @100KHz, 100mV, 21mADC Bias
- Insertion Loss (dB MAX):  
1-100MHz:-1
- Return Loss (dB MIN):  
20-30MHz:-18      40MHz:-17  
50MHz:-16      60-80MHz:-12  
100MHz:-10
- CMR (dB MIN):  
1-60MHz:-37      60-100MHz:-40
- CDMR (dB MIN):  
1MHz:-45      60MHz:-40  
125MHz:-30
- Hipot (Vrms MIN): 1500
- Operating Temperature: -40°C ~ +85°C.



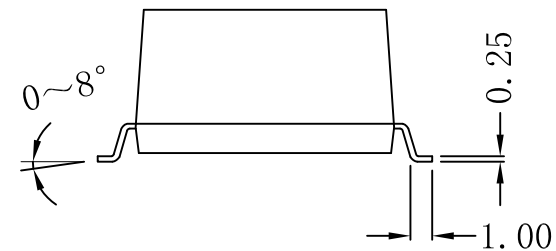
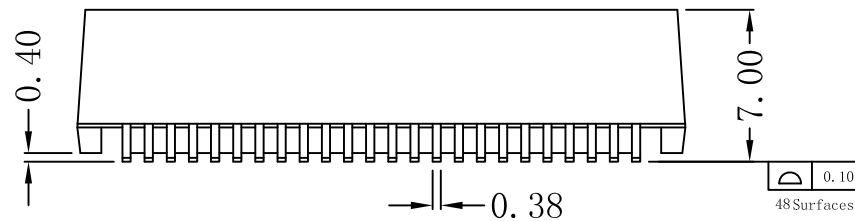
X:X	APPD:	LINK-PP INT'L TECHNOLOGY CO., LIMITED		
X:XX ±0.25	CHKD:	TITLE: 10/100/1000 Base-T Magnetic Modules For PoE+ Application		
X:XXX	DR: TOM	PART NO.: LP84812ANL		
ANGLES ±1°	UNIT: mm	REV: A      DWG NO.: LP16012503		
	SCALE: 2/1	SHEET: 1/2		

# Mechanical:

REV.	ECN NO.	DESCRIPTION	DATE	APPD
A	REL		2016/01/25	



SUGGESTED PAD LAYOUT



Dimensions: mm

Unless otherwise specified, all tolerances are  $\pm 0.25$

## NOTES:

1. Gigabit Transformer Modules With PoE+ compliance
2. Meets IEEE 802.3at specification
3. Suitable for PoE+ applications (720mA@57V continuous)
3. For RoHS part add suffix NL.
4. RoHS "NL" peak solder rating 250°C.



X:X	APPD:	LINK-PP INT'L TECHNOLOGY CO., LIMITED		
X:XX	$\pm 0.25$	CHKD:	TITLE: 10/100/1000 Base-T Magnetic Modules For PoE+ Application	
X:XXX		DR: TOM	PART NO.: LP84812ANL	
ANGLES	$\pm 1^\circ$	UNIT: mm		
	SCALE: 2/1	SHEET: 2/2	REV: A	DWG NO.: LP16012503

Sales Department A-B2

Sales Engineer / Summer Ming - 明夏

Tel: 0086-752-3322915      Mob: 0086-180-2668-6530

Fax: 0086-752-3161926

E-mail: Summer@link-pp.com

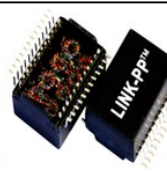
www.link-pp.com

LINK- PP INT'L TECHNOLOGY CO., LIMITED

Jia An Industrial Park, Chenjiang Rd, Zhongkai Hightech Zone, Huizhou City,  
516003, China



  
**RoHS**



LINK- PP INT'L TECHNOLOGY CO., LIMITED

Seris : LPJXXXXXXXX / LPXXXXXXXX / LPAXXXXXXX